

Technical data sheet



Product features

Multi-function fixed bratt pan electric TOP 230 V

Model	SAP Code	00006347
--------------	-----------------	----------



- Bottom thickness: 10.00
- Basin volume [l]: 6
- Usable volume [l]: 6
- Protection of controls: IPX4

SAP Code	00006347	Loading	230 V / 1N - 50 Hz
Net Width [mm]	538	Basin volume [l]	6
Net Depth [mm]	328	Usable volume [l]	6
Net Height [mm]	292	Width of internal part [mm]	530
Net Weight [kg]	26.00	Depth of internal part [mm]	320
Power electric [kW]	3.000	Height of internal part [mm]	600

Technical data sheet



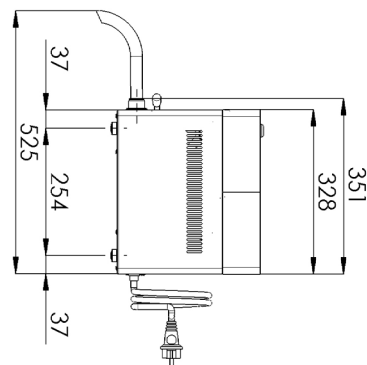
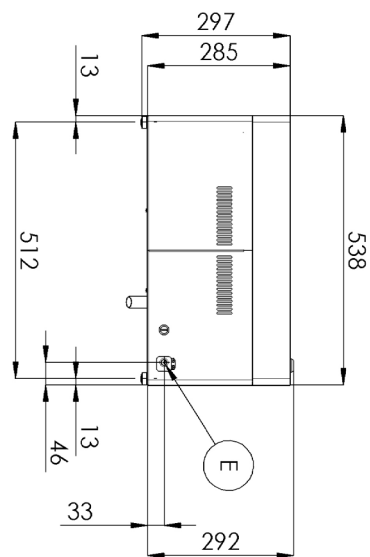
Technical drawing

Multi-function fixed bratt pan electric TOP 230 V

Model

SAP Code

00006347



Multi-function fixed bratt pan electric TOP 230 V

Model

SAP Code

00006347

1

All-stainless design of the cladding except for the hotplate

long life
resistance of a 10mm thick ground steel plate delete
check heating operation delete easier cleaning

- savings on service interventions
- easier and faster operation

2

Degree of protection of the control elements IPX4

maintenance-free system
resistance to splash water
long life

- savings on service interventions
- easier and faster operation

3

The outlet on the front side is removable

the possibility of draining the oil into the prepared container and a Teflon pin in the container

- easy and safe handling better ergonomics and working conditions for the operator better use of space removability

4

Iron plate

long life
resistance of a ground steel plate with a thickness of 10 mm

- faster warm-up
- toasts better than stainless steel
- food does not stick to it

Technical data sheet



Technical parameters

Multi-function fixed bratt pan electric TOP 230 V

Model

SAP Code

00006347

1. SAP Code:

00006347

2. Net Width [mm]:

538

3. Net Depth [mm]:

328

4. Net Height [mm]:

292

5. Net Weight [kg]:

26.00

6. Gross Width [mm]:

670

7. Gross depth [mm]:

395

8. Gross Height [mm]:

362

9. Gross Weight [kg]:

28.00

10. Device type:

Electric unit

11. Construction type of device:

Table top

12. Power electric [kW]:

3.000

13. Loading:

230 V / 1N - 50 Hz

14. Protection of controls:

IPX4

15. Material:

AISI 430

16. Indicators:

operation and warm-up

17. Standard equipment for device:

teflon pin with overflow

18. Basin volume [l]:

6

19. Maximum device temperature [°C]:

300

20. Minimum device temperature [°C]:

50

21. Adjustable feet:

Yes

22. Bottom thickness:

10.00

23. Usable volume [l]:

6

24. Type of drain valve:

with safety lock

25. Drain:

Yes

26. Width of internal part [mm]:

530

27. Depth of internal part [mm]:

320

28. Height of internal part [mm]:

600

Technical data sheet



Technical parameters

Multi-function fixed bratt pan electric TOP 230 V

Model

SAP Code

00006347

29. Cross-section of conductors CU [mm²]:

0,75

– Výkon (kW): 3,3-3,7 (230 V)